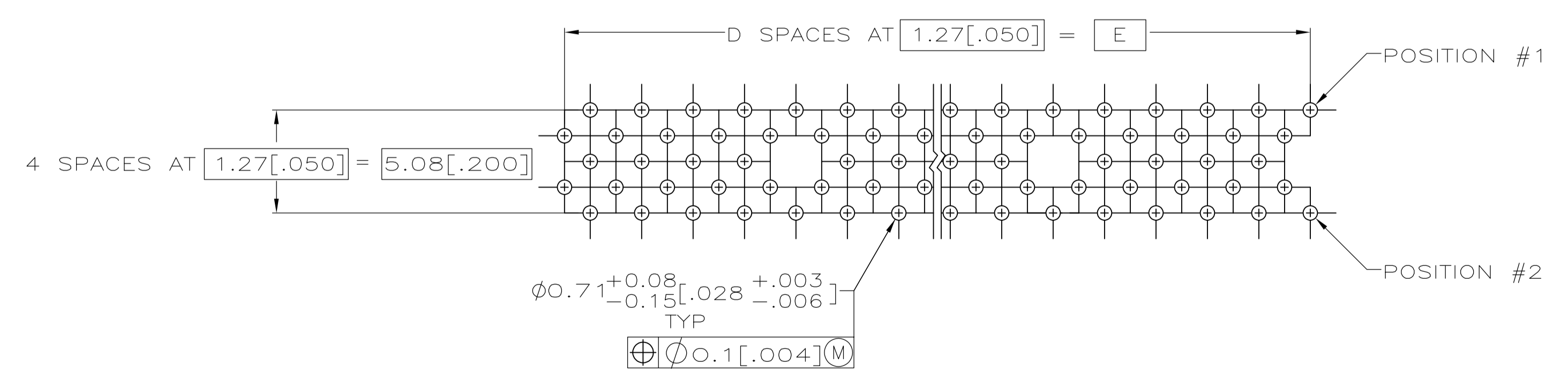
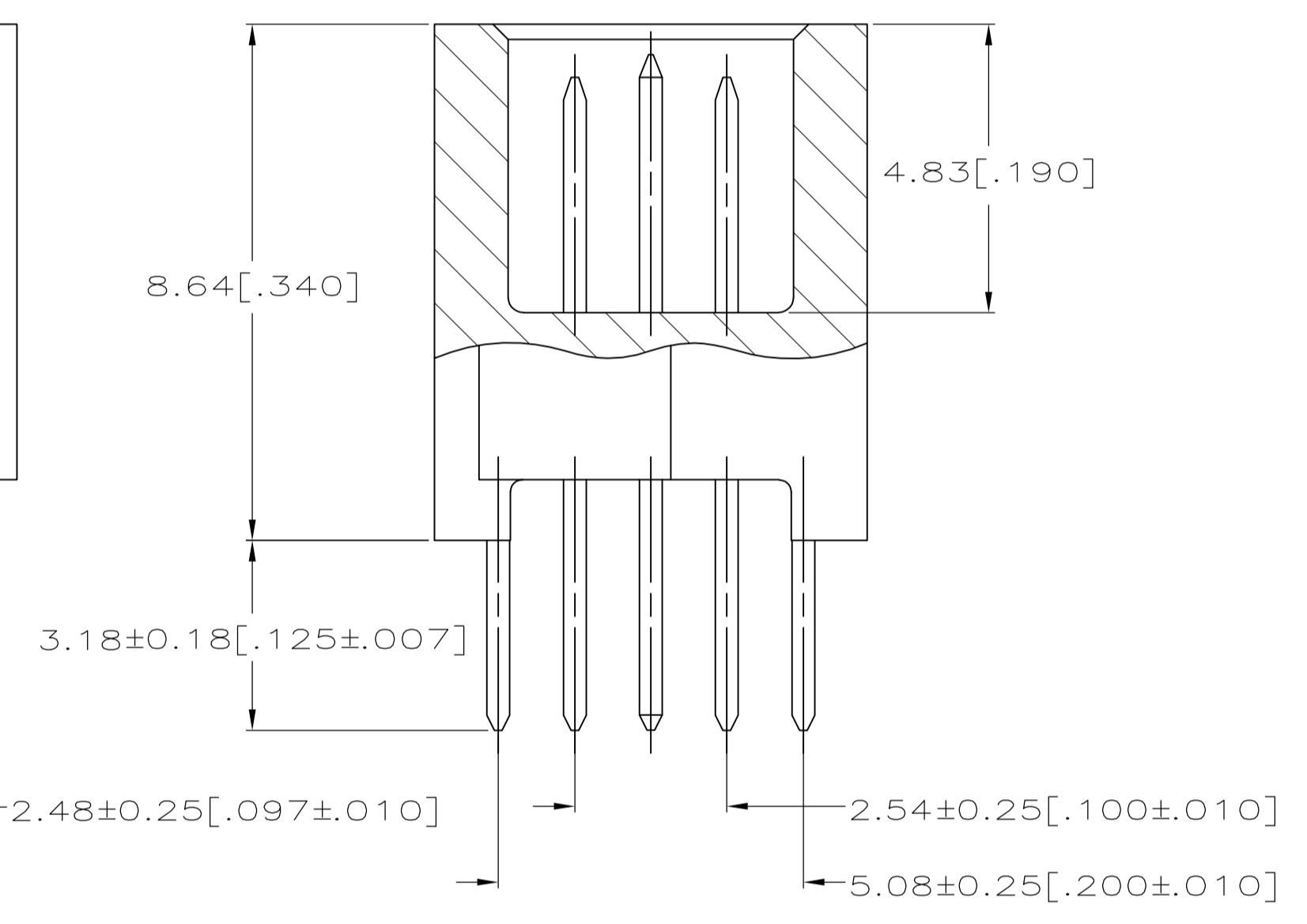
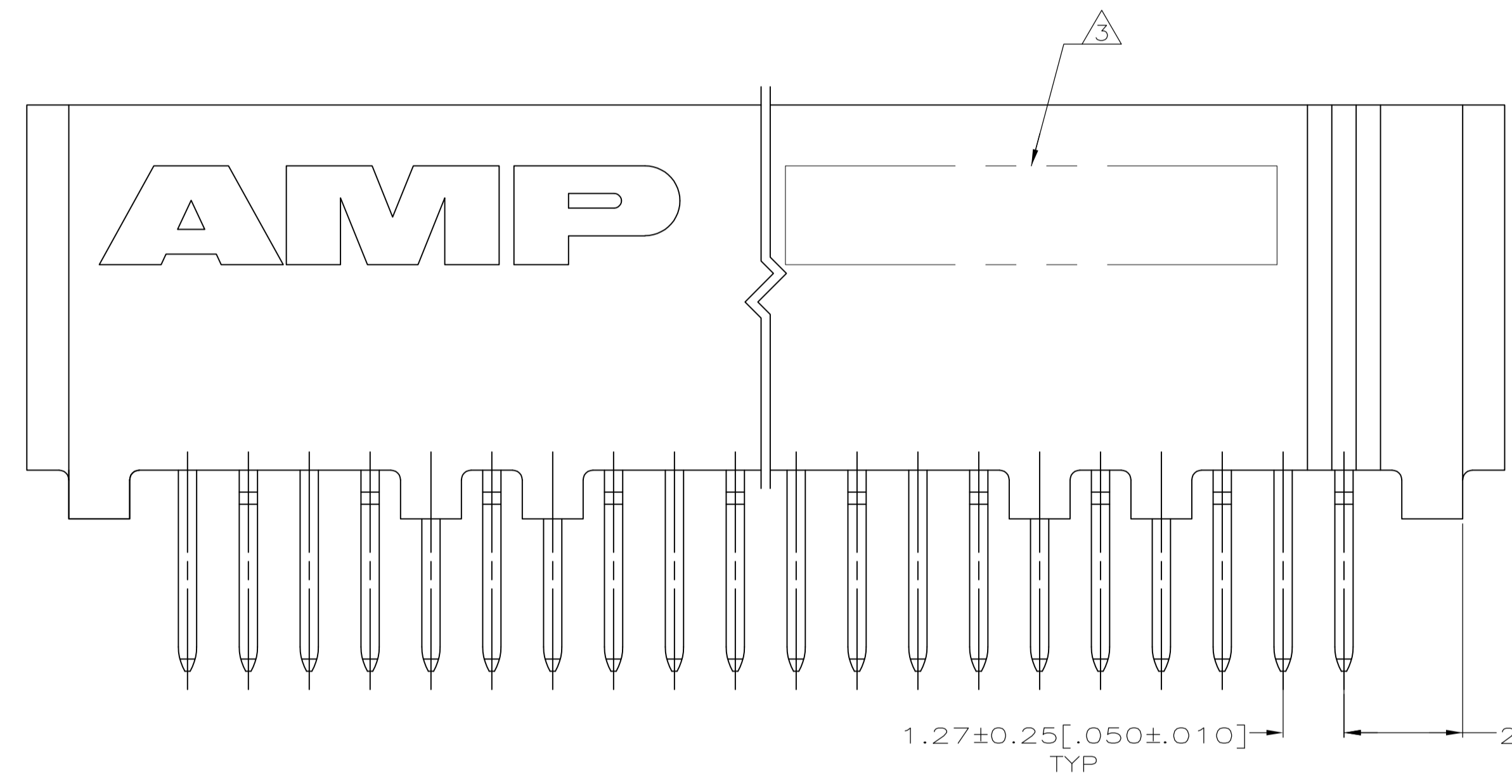


- ① HOUSING: HIGH TEMPERATURE THERMOPLASTIC, COLOR NATURAL.
PIN CONTACTS: PHOSPHOR BRONZE.
GROUND BUSES: PHOSPHOR BRONZE.
- ② CONTACTS & GROUND BUSES: 0.00076(.000030) MIN. GOLD PER ASTM B 488 ON CONTACT AREA, 0.00254-0.00762(.000100-.000300) MATTE TIN PER ASTM B 545 ON SOLDER TAIL, ALL OVER 0.00127-0.00254(.000050-.000100) MATTE NICKEL PER SAE AMS-QQ-N-290 ON ENTIRE CONTACT.
- ③ DATE CODE MARKED IN AREA INDICATED.



125.73[4.950]	99	128.22[5.048]	130.68[5.145]	132.44[5.214]	200	5536272-9
113.03[4.450]	89	115.52[4.548]	117.98[4.645]	119.74[4.714]	180	5536272-8
100.33[3.950]	79	102.82[4.048]	105.28[4.145]	107.04[4.214]	160	5536272-7
87.63[3.450]	69	90.12[3.548]	92.58[3.645]	94.34[3.714]	140	5536272-6
OBSOLETE 74.93[2.950]	59	77.42[3.048]	79.88[3.145]	81.64[3.214]	120	5536272-5
OBSOLETE 62.23[2.450]	49	64.72[2.548]	67.18[2.645]	68.94[2.714]	100	5536272-4
OBSOLETE 49.53[1.950]	39	52.02[2.048]	54.48[2.145]	56.24[2.214]	80	5536272-3
36.83[1.450]	29	39.32[1.548]	41.78[1.645]	43.54[1.714]	60	5536272-2
24.13[.950]	19	26.62[1.048]	29.08[1.145]	30.84[1.214]	40	5536272-1
E	D	C	B	A	NO OF POS	PART NUMBER

THIS DRAWING IS A CONTROLLED DOCUMENT.

DIMENSIONS: mm [INCHES]	TOLERANCES UNLESS OTHERWISE SPECIFIED:	0 PLC ± -	1 PLC ± -	2 PLC ± -	3 PLC ± 0.13 [.005]	4 PLC ± -	ANGLES ± -
MATERIAL		FINISH		APPROVED		DATE	
①		②		A1 00779		5536272	
CUSTOMER DRAWING				SCALE 10:1		SHEET 1 OF 1	

THIS DRAWING IS A CONTROLLED DOCUMENT. DATE: 01-20-05. BY: A. FERNANDEZ. CHECKED BY: D. DIXON. APPROVED BY: D. DIXON. PRODUCT SPEC: 108-1272. APPLICATION SPEC: 114-11005. WEIGHT: -. SIZE: A1. RESTRICTED TO: -. Tyco Electronics Corporation, Harrisburg, PA 17105-3608. Tyco Electronics Corporation, Harrisburg, PA 17105-3608. PLUG ASSEMBLY, 10.92[.430] STACK, 3.18[.125] TAIL, BOARD TO BOARD, MICRO-STRIP.